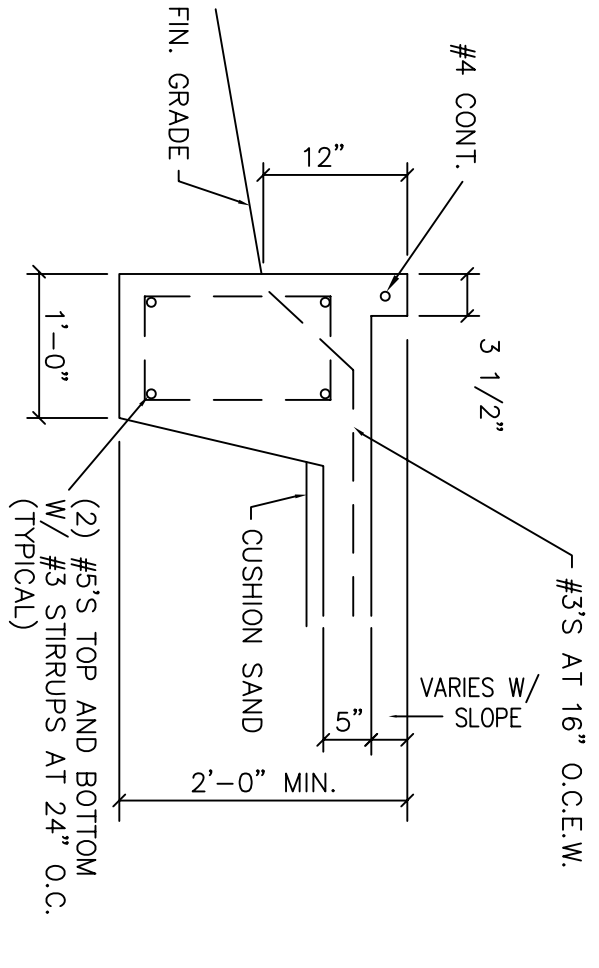
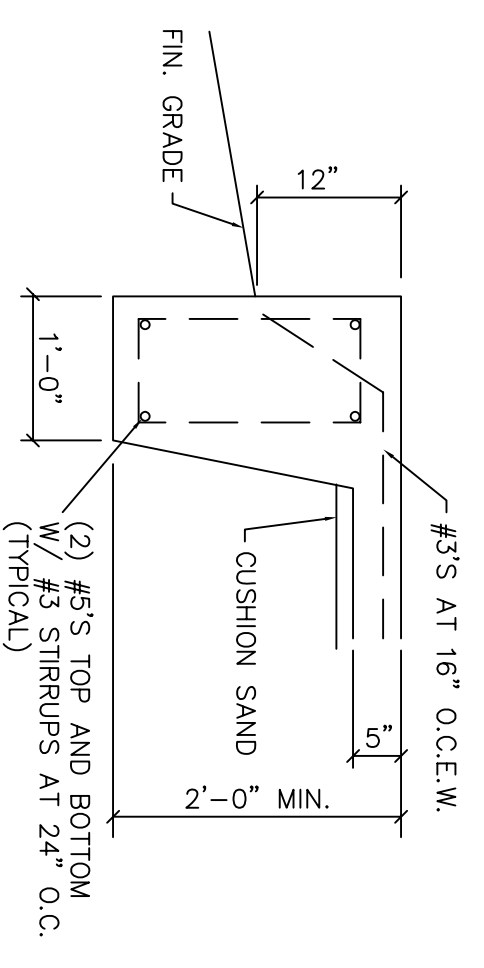


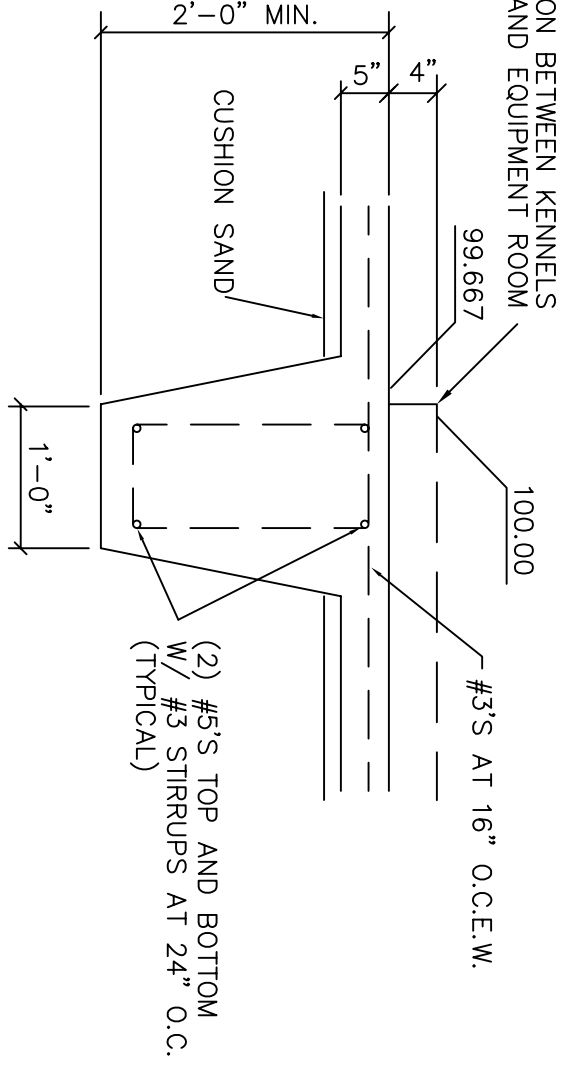
5 EXTERIOR BEAM AT KENNELS
SCALE: 3/4" = 1'-0"



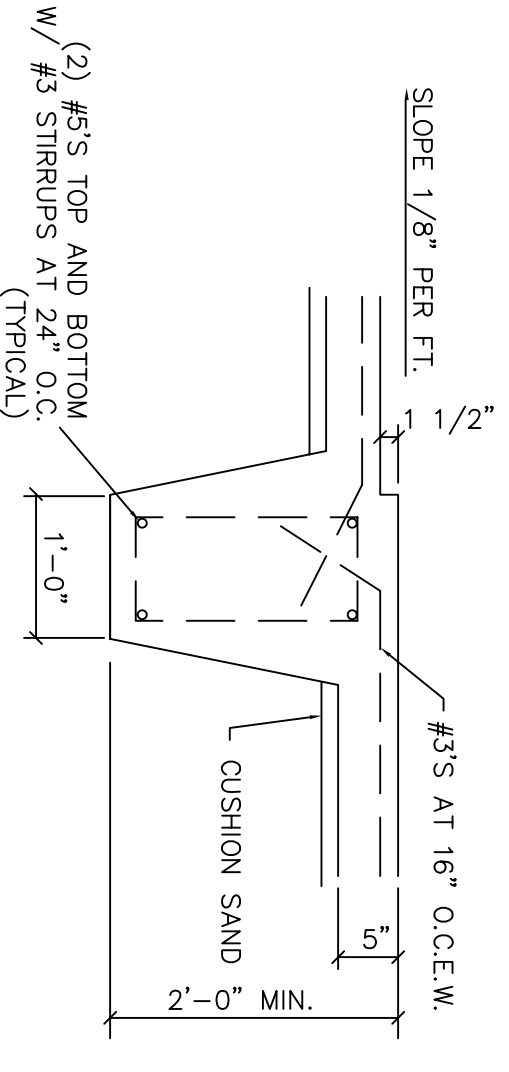
4 EXTERIOR WING WALL BEAM
SCALE: 3/4" = 1'-0"



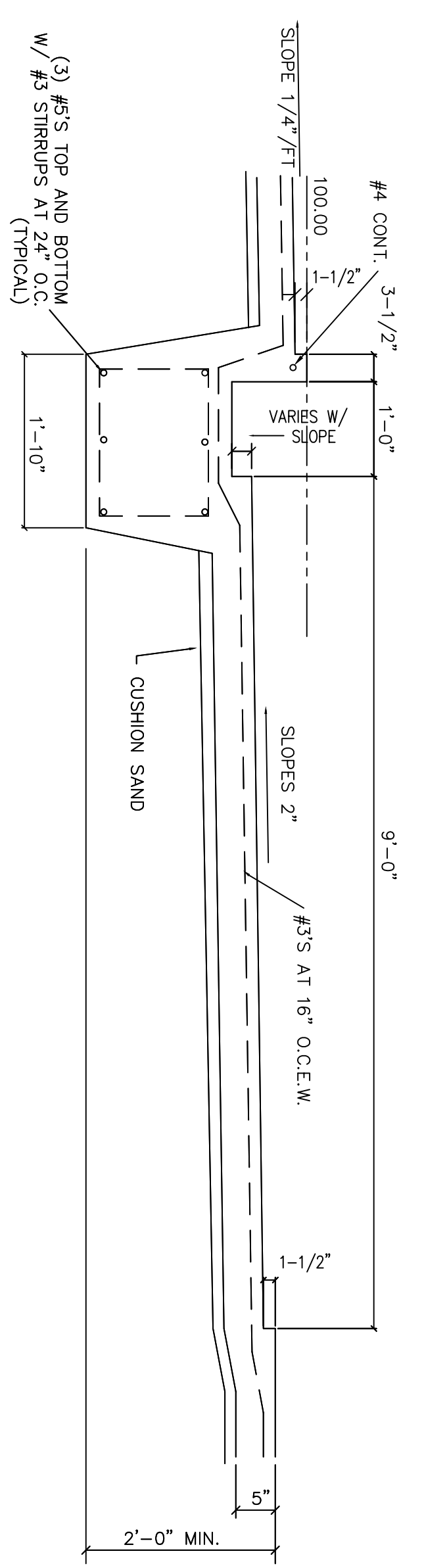
3 EXTERIOR BEAM
SCALE: 3/4" = 1'-0"



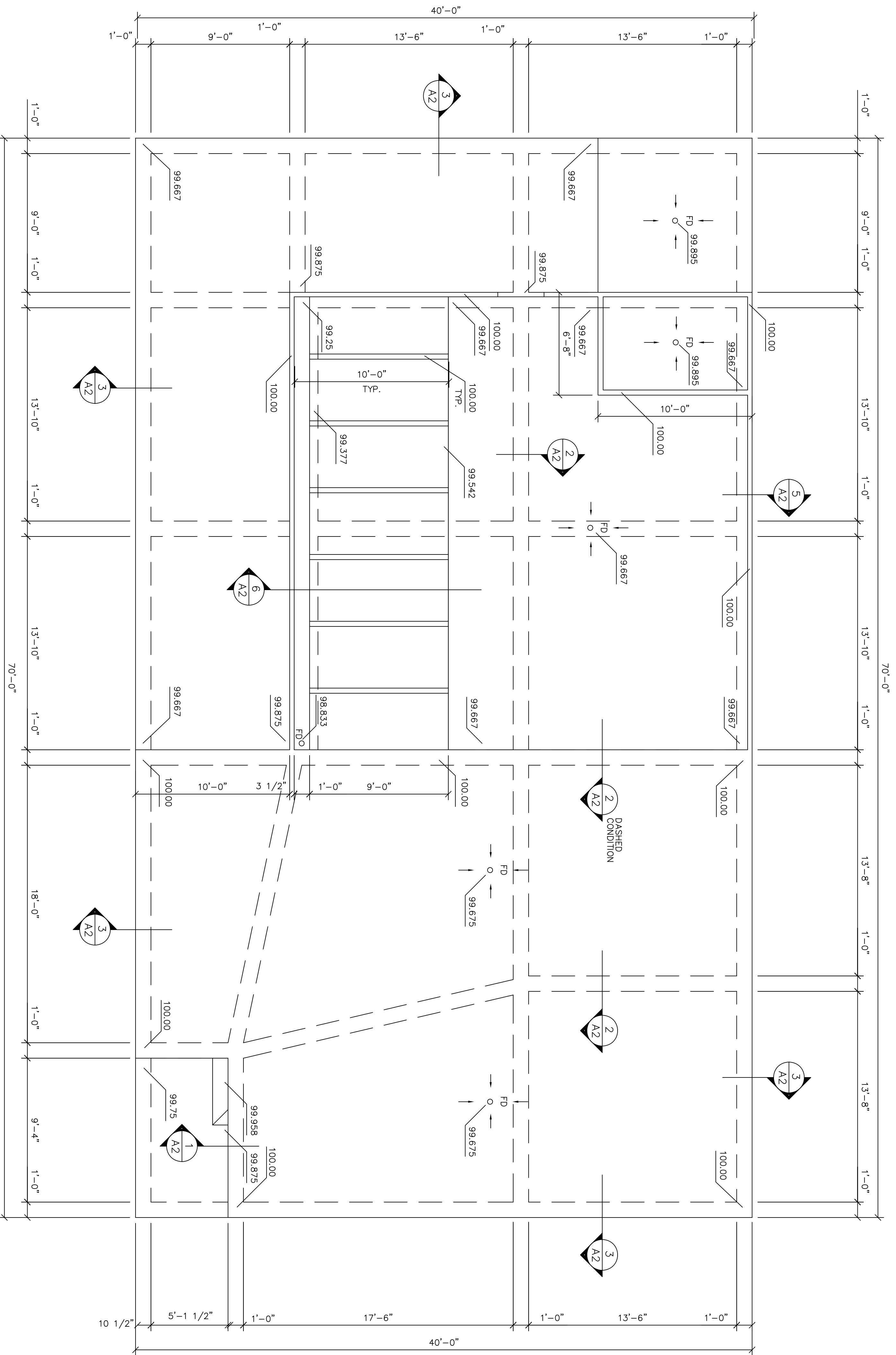
2 INTERMEDIATE BEAM
SCALE: 3/4" = 1'-0"



1 PORCH CONNECTION
SCALE: 3/4" = 1'-0"



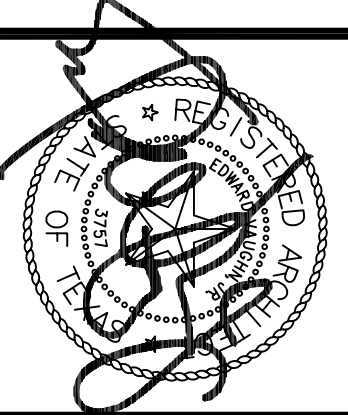
6 BEAM AT KENNEL RUNS & DRAIN
SCALE: 3/4" = 1'-0"



FOUNDATION PLAN
SCALE: 1/4" = 1'-0"

- CONCRETE NOTES:**
1. ALL CONCRETE SHALL HAVE A MINIMUM COMPRESSIVE STRENGTH OF 3000 PSI AT 28 DAYS AND A MAXIMUM SLUMP OF 5 INCHES.
 2. ALL REINFORCING SHALL BE NEW BILLET STEEL CONFORMING TO ASTM A-615 FOR BOND, FOR ALL OTHER SIZES SHALL BE GRADE 40 FOR ALL BARS #3 OR SMALLER, AND GRADE 60 FOR ALL OTHER SIZES.
 3. AGGREGATE SHALL BE HARD ROCK, CONFORMING TO ASTM C-33.
 4. DETAILS OF REINFORCEMENT SHALL COMPLY WITH CHAPTER 7, "BUILDING CODE REQUIREMENTS FOR REINFORCED CONCRETE (ACI 318-92)".
 5. PERMISSIBLE LOCATIONS FOR LAP SPICES IN LONGITUDINAL REINFORCEMENT. ALL LAPS TO BE 30 BAR DIAM. (MIN.)
 6. TOP BARS - TOP SUPPORTS
TOP BARS - WITHIN MIDDLE THIRD OF SPAN

OUTBUILDINGS PREPARED FOR THE
PRICE RESIDENCE
ABILENE, TEXAS



Edward Vaughn Jr., AIA, CSI
Architecture - Interior Design
2009 Rockridge Terrace Phone 817-713-5702
Fort Worth, Texas 76160 vaughn1940@sbcglobal.net